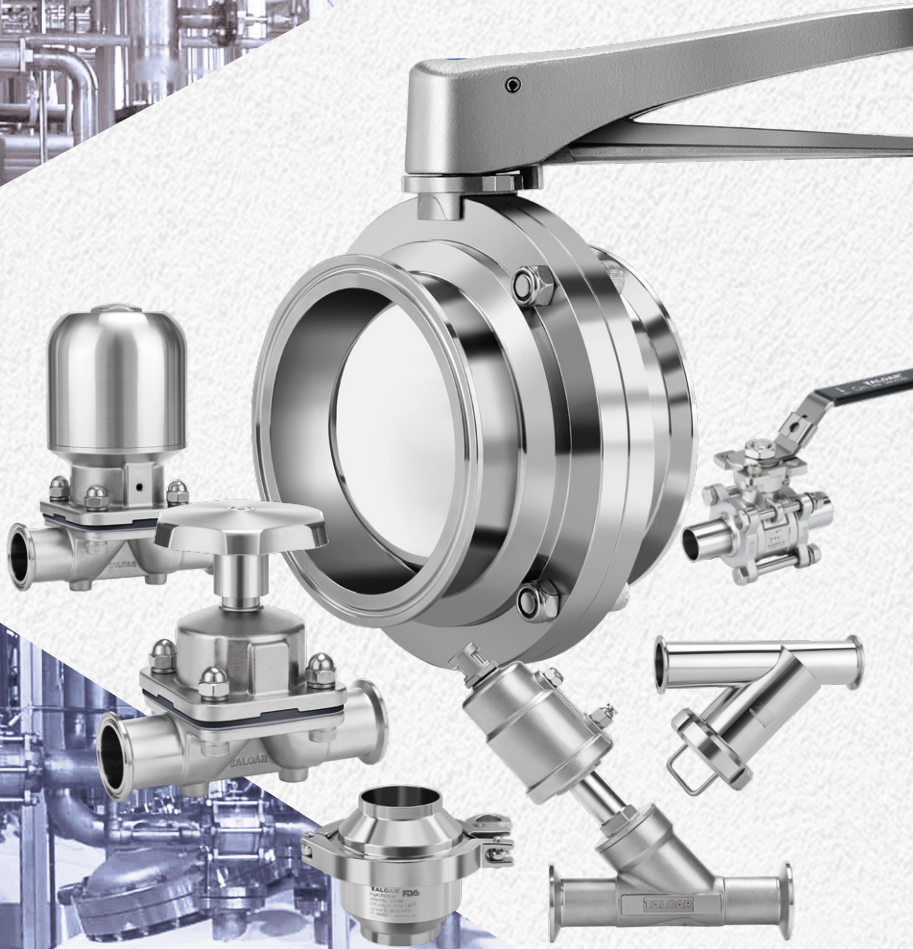


# Aseptic Valves

# TALOAR®

# ASEPTIC VALVES





# Health, Safety!

Clean Process Piping System Applications





#### SERVES

TALOR INC serves as a world-leading supplier of flow control products and services, providing a series of diversified fluid control products that are dedicated to commercial, water-related and industrial applications. The solutions provided by TALOR INC constitute an important part of the leading plant asset management strategies.

## Leading Flow Control Technology

**TALOR INC is committed to ongoing investment in research and development of new products and processes to meet the specific requirements of users across a diverse range of industries. This ensures that the quality of each product is consistently maintained.**

**TALOR INC sanitary series valves are utilized for ultra-pure media in various of industries including bio-pharmaceutical, food and beverage, fine chemical, semiconductor, data centre and microelectronics.**

The manufacturing process is completed in accordance with a strict quality management system, which adheres to the ISO 9001 international standards. This ensures that the surface of the 304 or 316L stainless steel materials maintain a high degree of finish, and that the sealing materials obtain the required specifications. The valve body and sealing materials can also be disinfected or sterilized simultaneously with the valve body, thus maintaining receptivity and tightness.



# Application Areas



## Biopharmaceutical

Bio-Fermentation  
Pharmaceutical  
Personal Care  
Life Sciences



## SEMI & SEMS

UHP Piping System  
SP1/SP2(Hook-Up)  
Integrated Circuit



## Food & Drink

Fluid Food  
Food Additives  
Drinks  
Dairy  
Wines  
Water



## Advanced Electronic Equipment

SEMI&FPD  
Solar  
LED  
Industrial Coating



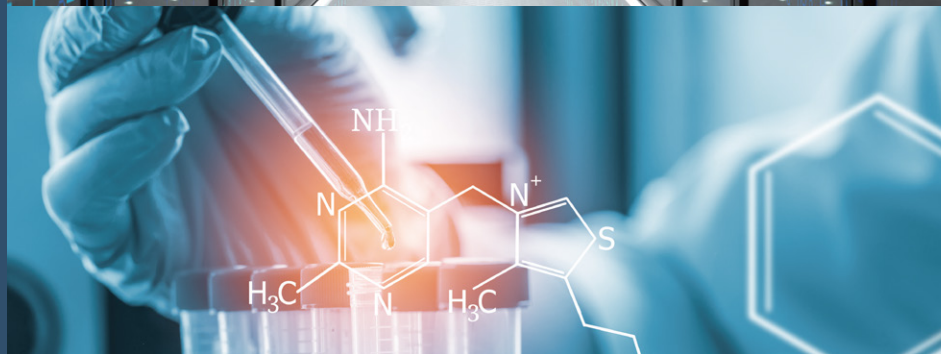
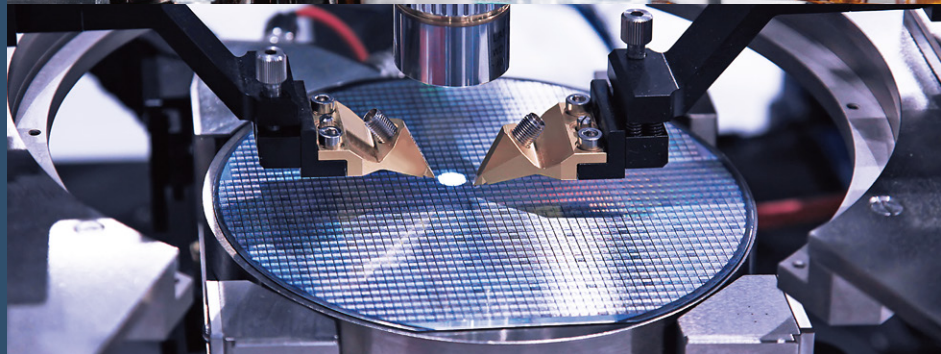
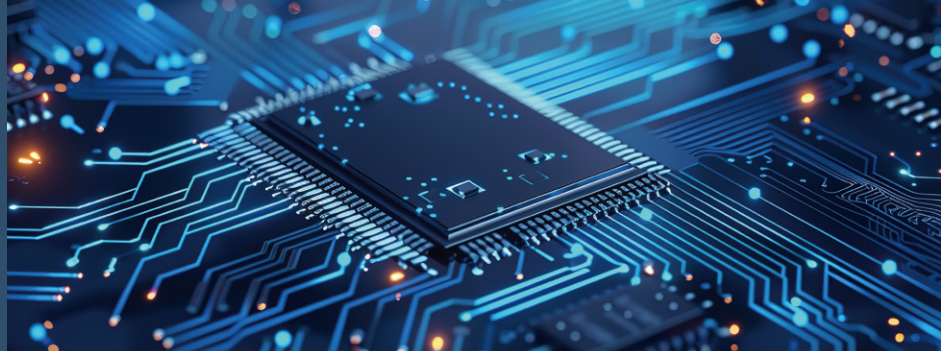
## Data Center

Fluorinated Liquid  
Mineral Oil  
Glycol  
Water









## Fine Chemicals

Dyestuff  
Coating  
Information Chemicals  
High Molecular Polymer



### Index

Product	Product Features	Parameters	
	<ul style="list-style-type: none"> <li>• Full bore design, high flow, no flow resistance.</li> <li>• Three-piece valve body structure, zero leakage, easy to disassemble and maintain.</li> <li>• Half-wrap, full-wrap sealing ball design, to avoid impurity retention.</li> <li>• ISO5211 drive platform.</li> <li>• Handle lock hole design.</li> <li>• 90° switch, low torque.</li> </ul>	<ul style="list-style-type: none"> <li>• 304, 316L stainless steel (polished, ultrasonically cleaned).</li> <li>• ½" ~ 4" .</li> <li>• 0~16Bar.</li> <li>• Welded, threaded, clamp connection.</li> <li>• -20°C~120°C/-4°F~248°F.</li> <li>• DIN, ISO, 3A, BPE, BS4825 and other standard dimensions.</li> </ul>	<b>P1-P4</b>
	<ul style="list-style-type: none"> <li>• High flow design, low flow resistance.</li> <li>• Two-piece, three-piece valve body structure, zero leakage, easy to disassemble and maintain.</li> <li>• EPDM, PTFE valve seat can be replaced.</li> <li>• One-piece valve plate connecting shaft design.</li> <li>• Adjustable opening.</li> <li>• 90° switching, low torque.</li> </ul>	<ul style="list-style-type: none"> <li>• 304, 316L stainless steel (polished, ultrasonically cleaned).</li> <li>• ½" ~ 8" .</li> <li>• 0~10Bar, 16Bar</li> <li>• Welded, clamp, flanged connection</li> <li>• -20°C~120°C/-4°F~248°F.</li> <li>• DIN, ISO, 3A, BPE, BS4825 and other standard dimensions.</li> </ul>	<b>P5-P8</b>
	<ul style="list-style-type: none"> <li>• Seal material meets FDA 177.1210/2600 standards.</li> <li>• Single or double diaphragm seals EPDM, EPDM+PTFE.</li> <li>• T-shaped body, tank bottom body or multi-channel body.</li> <li>• Pneumatic control options are normally closed, normally open, or double acting.</li> <li>• Solenoid valves, position feedback or position regulators can be added.</li> <li>• Suitable for inert, corrosive liquids and gases.</li> </ul>	<ul style="list-style-type: none"> <li>• 304, 316L stainless steel (polished, ultrasonically cleaned)</li> <li>• ¾" ~2½"</li> <li>• 0~10Bar</li> <li>• Welded, threaded, clamp connection</li> <li>• -20°C~150°C/-4°F~302°F.</li> <li>• DIN, ISO, 3A, BPE, BS4825 and other standard dimensions.</li> </ul>	<b>P9-P13</b>
	<ul style="list-style-type: none"> <li>• Y-shaped body design, excellent regulating characteristics.</li> <li>• High flow rate and low resistance to flow.</li> <li>• Pneumatic actuators are available in plastic or stainless steel.</li> <li>• Pneumatic controls are available in normally closed, normally open or double acting.</li> <li>• Position feedback or positioning regulator can be installed.</li> <li>• Switch position display.</li> </ul>	<ul style="list-style-type: none"> <li>• 304, 316L stainless steel (polished, ultrasonically cleaned).</li> <li>• ½" ~4" .</li> <li>• 0~25Bar, control pressure 4~6Bar.</li> <li>• Welded, threaded, clamp connection.</li> <li>• -20°C~180°C/-4°F~356°F.</li> <li>• DIN, ISO, 3A, BPE, BS4825 and other standard dimensions.</li> </ul>	<b>P14-P15</b>
	<ul style="list-style-type: none"> <li>• Y-shaped valve body design, easy to discharge impurities.</li> <li>• Double screen protection.</li> <li>• Customized screen size according to customer' s requirement.</li> <li>• Screw-in valve cover, easy to disassemble.</li> </ul>	<ul style="list-style-type: none"> <li>• 304, 316L stainless steel (polished, ultrasonically cleaned).</li> <li>• ½" ~5" .</li> <li>• 0~10Bar.</li> <li>• Welded, clamp connection.</li> <li>• -20°C~100°C/-4°F~212°F.</li> <li>• DIN, ISO, 3A, BPE, BS4825 and other standard dimensions.</li> </ul>	<b>P16-P17</b>
	<ul style="list-style-type: none"> <li>• Centre-guided design, spring return.</li> <li>• Silent speed closed type.</li> <li>• Central sealing is of the live-action type, easy to disassemble and maintain.</li> </ul>	<ul style="list-style-type: none"> <li>• 304, 316L stainless steel (polished, ultrasonically cleaned).</li> <li>• ½" ~4" .</li> <li>• 0~10Bar.</li> <li>• -20°C~100°C/-4°F~212°F.</li> <li>• DIN, ISO, 3A, BPE, BS4825 and other standard dimensions.</li> </ul>	<b>P18-P19</b>
<b>Electric Actuator Technical Parameters</b>			<b>P20-P21</b>

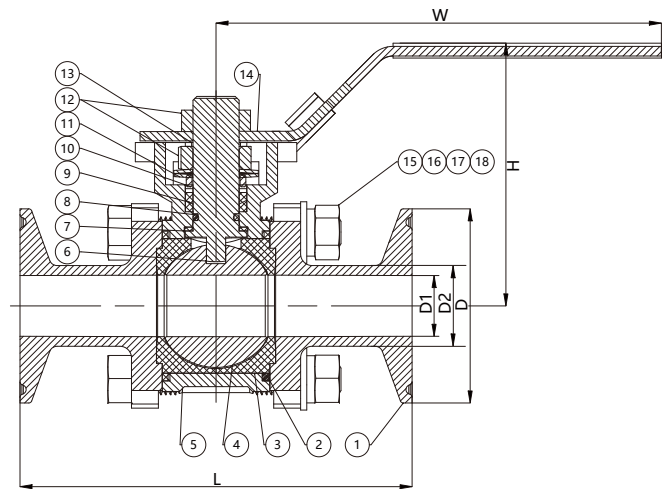
### Ball Valves PN16/232PSI

Three-Piece, Clamp Connection  
 Seal Material Comply to FDA177.1210/2600  
 Dimensions to ISO2852, DIN32676  
 Temperature Range: -20°C~120°C/-4°F~248°F



**BL7126-C**

Materials		
No.	Part	Specification
1	Bonnet	ANSI 304/316L
2	Spacer Ring	PTFE
3	Seat	PTFE
4	Ball	ANSI 304/316L
5	Body	ANSI 304/316L
6	Stem	ANSI 304/316
7	Stem Washer	PTFE
8	O-Ring	EPDM
9	Packing	PTFE
10	Packing Bushing	ANSI 304
11	Spring	ANSI 304
12	Hexagonal Nut	ANSI 304
13	Handle Gasket	ANSI 304
14	Handle	ANSI 304
15	Hexagon Bolt	ANSI 304
16	Gasket	ANSI 304
17	Elastic Gasket	ANSI 304
18	Hexagonal Nut	ANSI 304



- \* The valve body material can be selected as 304 or 316.
- Clean system seat seals are available in half or full wrap.
- ISO 5211 mounting pad is a non-standard configuration and must be confirmed when ordering.

Dimensions (ISO/DIN)									
Size/In	L ISO/DIN	W ISO/DIN	D ISO/DIN	D1 ISO/DIN	D2	H ISO/DIN	ISO5211	Kv	Torque N.m
½	90/102	131	34	9.7/16	12.7	62/69	F03/F04	21	8
¾	102	131	34/50.5	16.1/20	19.1	69	F03/F04	38	8
1	115	170	50.5	22.4/25	25.4	91	F04/F05	72	18
1¼	125	170	50.5	28.8/32	31.8	97	F04/F05	112	18
1½	138	180	50.5	35.1/38	38.1	117	F05/F07	170	25
2	156	217	64	47.8/49	50.8	125	F05/F07	273	30
2½	170/180	250/325	77.5/91	59.5/66	63.5	141	F07/F10	384	40
3	197/220	325	91/106	72.1/81	76.2	156	F07/F10	512	50
4	242	325	119	97.6/100	101.6	173	F07/F10	940	80

♦Please consult the factory for 3A and other standard sizes such as ASME BPE, BS4825, etc.

### Electric Ball Valve

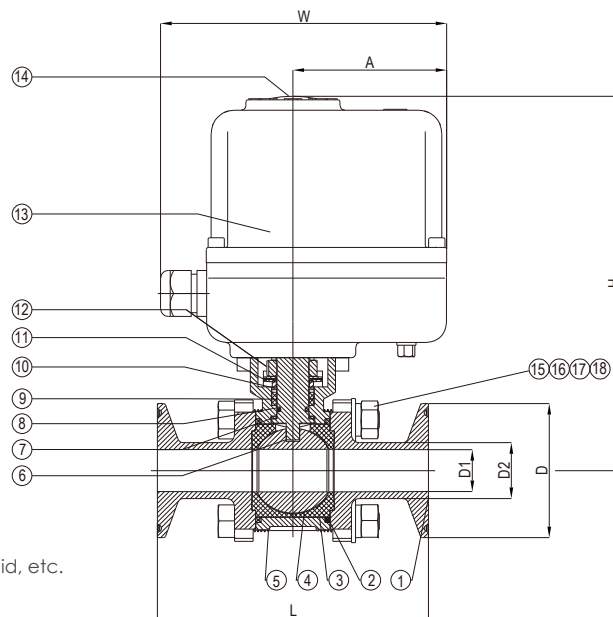
PN16/232PSI

Three-Piece, Clamp Connection  
 AC220V/110V, DC24V, IP67 Protection Rating  
 Equipped with a Manual Switch, Power Failure and  
 Signal Loss Retention Function  
 Dimensions to ISO2852, DIN32676  
 Temperature Range -20°C~120°C/-4°F~248°F



**BL7126-C-ES100**

Materials		
No.	Part	Specification
1	Bonnet	ANSI 304/316L
2	Spacer Ring	PTFE
3	Seat	PTFE
4	Ball	ANSI 304/316L
5	Body	ANSI 304/316L
6	Stem	ANSI 304/316
7	Stem Washer	PTFE
8	O-Ring	EPDM
9	Packing	PTFE
10	Packing Bushing	ANSI 304
11	Spring	ANSI 304
12	Hexagonal Nut	ANSI 304
13	Actuator Housing	Aluminum Alloy
14	Position Indicator	PP
15	Hexagon Bolt	ANSI 304
16	Gasket	ANSI 304
17	Elastic Gasket	ANSI 304
18	Hexagonal Nut	ANSI 304



- \* Body material available in 304 or 316 stainless steel.
- Applicable media: Water, ethylene glycol, propylene glycol, fluorinated fluid, etc.
- ES100( 1/2" - 3" )/ES300( 4" ). -H On-off type, -R Regulating type.
- \* Detailed technical parameters of ball valves and actuators see page end.

Dimensions (ISO/DIN)										
Size/In	L ISO/DIN	W	A	D ISO/DIN	D1 ISO/DIN	D2	H H1(On off)/H2(Modulating)	ISO5211	Kv	Torque N.m
1/2	90/102	149	80	34	9.7/16	12.7	173/193	F03/F04	21	8
3/4	102	149	80	34/50.5	16.1/20	19.1	180/200	F03/F04	38	8
1	115	149	80	50.5	22.4/25	25.4	190/210	F04/F05	72	18
1 1/4	125	149	80	50.5	28.8/32	31.8	198/218	F04/F05	112	18
1 1/2	138	149	80	50.5	35.1/38	38.1	210/230	F05/F07	170	25
2	156	149	80	64	47.8/49	50.8	217/237	F05/F07	273	30
2 1/2	170/180	149	80	77.5/91	59.5/66	63.5	232/252	F07/F10	384	40
3	197/220	149	80	91/106	72.1/81	76.2	248/268	F07/F10	512	50
4	242	149	80	119	97.6/100	101.6	265/285	F07/F10	940	80

◆Please consult the factory for 3A and other standard sizes such as ASME BPE, BS4825, etc.

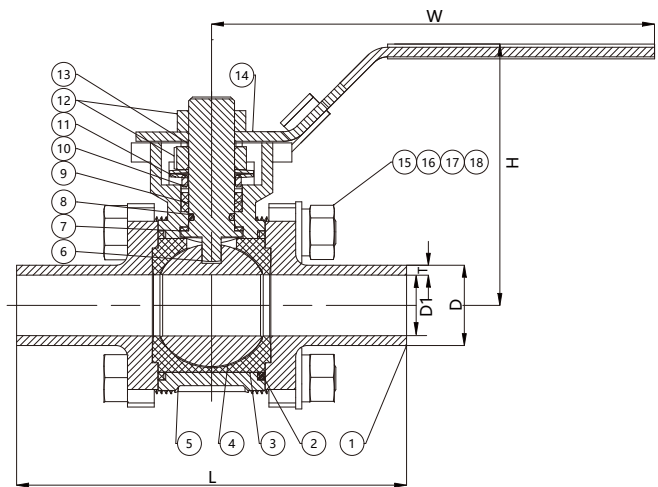
### Ball Valves PN16/232PSI

Three-Piece, Welded  
Sealing Material Comply to FDA177.1210/2600  
Dimensions to ISO2037, DIN11850  
Temperature Range: -20°C~120°C/-4°F~248°F



BL7126-W

Materials		
No.	Part	Specification
1	Bonnet	ANSI 304/316L
2	Spacer Ring	PTFE
3	Seat	PTFE
4	Ball	ANSI 304/316L
5	Body	ANSI 304/316L
6	Stem	ANSI 304/316
7	Stem Washer	PTFE
8	O-Ring	EPDM
9	Packing	PTFE
10	Packing Bushing	ANSI 304
11	Spring	ANSI 304
12	Hexagonal Nut	ANSI 304
13	Handle Gasket	ANSI 304
14	Handle	ANSI 304
15	Hexagon Bolt	ANSI 304
16	Gasket	ANSI 304
17	Elastic Gasket	ANSI 304
18	Hexagonal Nut	ANSI 304



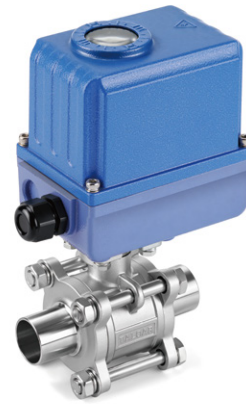
- \* The valve body material can be selected as 304 or 316.
- Clean system seat seals are available in half or full wrap.
- ISO 5211 mounting pad is a non-standard configuration and must be confirmed when ordering.

Dimensions (ISO/DIN)									
Size/In	L ISO/DIN	W ISO/DIN	D ISO/DIN	D1 ISO/DIN	H ISO/DIN	T	ISO5211	Kv	Torque N.m
½	90/102	131	12.7/19	10/16	62/69	1.5	F03/F04	21	8
¾	102	131	19.1/23	16/20	69/69	1.5	F03/F04	38	8
1	115	170	25.4/28	22/25	91/93	1.5	F04/F05	72	18
1¼	125	170	31.8/35	28/32	97	1.5	F04/F05	112	18
1½	138	180	38.1/41	35/38	117	1.5	F05/F07	170	25
2	156	217	50.8/52	48/49	125	1.5	F05/F07	273	30
2½	170/180	250/325	63.5/70	60/66	141	2	F07/F10	384	40
3	197/220	325	76.2/85	73/81	156	2	F07/F10	512	50
4	242	325	101.6/104	98/100	173	2	F07/F10	940	80

◆Please consult the factory for 3A and other standard sizes such as ASME BPE, BS4825, etc.

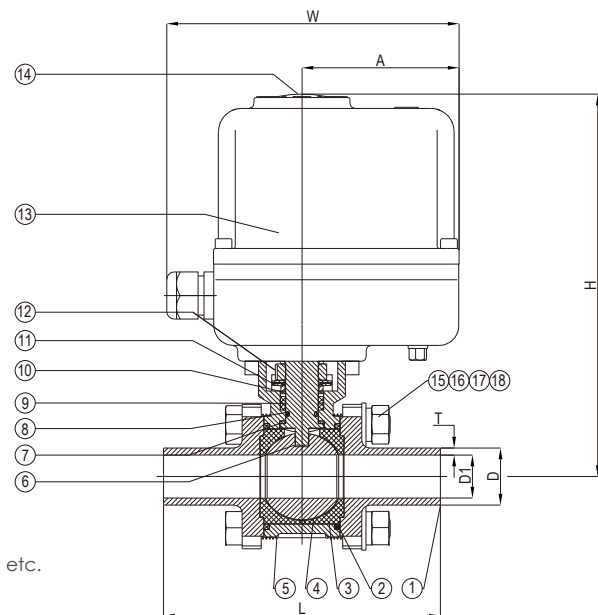
### Electric Ball Valve PN16/232PSI

Three-Piece, Welded  
AC220V/110V, DC24V, IP67 Protection Rating  
Equipped with a Manual Switch, Power Failure and  
Signal Loss Retention Function  
Dimensions to ISO2852, DIN32676  
Temperature Range -20°C~120°C/-4°F~248°F



**BL7126-W-ES100**

Materials		
No.	Part	Specification
1	Bonnet	ANSI 304/316L
2	Spacer Ring	PTFE
3	Seat	PTFE
4	Ball	ANSI 304/316L
5	Body	ANSI 304/316L
6	Stem	ANSI 304/316
7	Stem Washer	PTFE
8	O-Ring	EPDM
9	Packing	PTFE
10	Packing Bushing	ANSI 304
11	Spring	ANSI 304
12	Hexagonal Nut	ANSI 304
13	Actuator Housing	Aluminum Alloy
14	Position Indicator	PP
15	Hexagon Bolt	ANSI 304
16	Gasket	ANSI 304
17	Elastic Gasket	ANSI 304
18	Hexagonal Nut	ANSI 304



- \* Body material available in 304 or 316 stainless steel.
- Applicable media: Water, ethylene glycol, propylene glycol, fluorinated fluid, etc.
- ES100( ½" - 3" )/ES300( 4" ). -H On-off type, -R Regulating type.
- \* Detailed technical parameters of ball valves and actuators see page end.

Dimensions (ISO/DIN)										
Size/In	L ISO/DIN	W	A	D ISO/DIN	D1 ISO/DIN	H H1(On off)/H2(Modulating)	T	ISO5211	Kv	Torque N.m
½	90/102	149	80	12.7/19	10/16	173/193	1.5	F03/F04	21	8
¾	102	149	80	19.1/23	16/20	180/200	1.5	F03/F04	38	8
1	115	149	80	25.4/28	22/25	190/210	1.5	F04/F05	72	18
1¼	125	149	80	31.8/35	28/32	198/218	1.5	F04/F05	112	18
1½	138	149	80	38.1/41	35/38	210/230	1.5	F05/F07	170	25
2	156	149	80	50.8/52	48/49	217/237	1.5	F05/F07	273	30
2½	170/180	149	80	63.5/70	60/66	232/252	2	F07/F10	384	40
3	197/220	149	80	76.2/85	73/81	248/268	2	F07/F10	512	50
4	242	149	80	101.6/104	98/100	265/285	2	F07/F10	940	80

◆Please consult the factory for 3A and other standard sizes such as ASME BPE, BS4825, etc.

### Butterfly Valves PN10/145PSI, PN16/232PSI

Two-Piece, Clamp Connection, Handle  
Sealing Material Comply to FDA177.1210/2600  
Dimensions to ISO2852, DIN32676  
Temperature Range: -20°C~120°C/-4°F~248°F

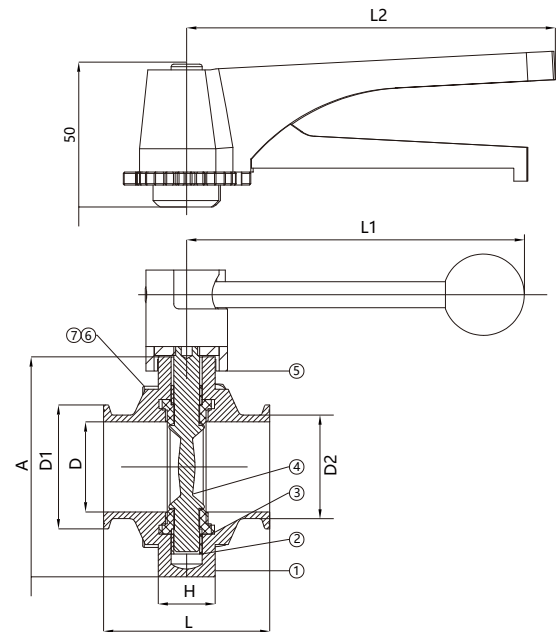


HB5126-C

Materials		
No.	Part	Specification
1	Body	ANSI 304/316L
2	Packing	PTFE
3	Seat	EPDM, NBR, PTFE, FPM
4	Disc	ANSI 304/316L
5	Handle/Lever	ANSI 304
6	Bolt	ANSI 304
7	Nut, Gasket	ANSI 304

\* The valve body material can be selected as 304 or 316.

\* The working pressure of model 5123 is 10 Bar;  
The working pressure of model 5126 is 16 Bar.



Dimensions (ISO/DIN)									
Size/In	L ISO/DIN	L1 ISO/DIN	L2 ISO/DIN	D ISO/DIN	D1 ISO/DIN	D2	H	A	Torque N.m
½	66	140	160	9.7/16	34	12.7	20	68	5
¾	66	140	160	15.8/19	34	19.1	20	78	5
1	68/66	140	160	22.1/25	50.5	25.4	22	78	5
1¼	68/66	140	160	28.5/31	50.5	31.8	22	78	5
1½	70/66	140	160	34.8/37	50.5	38.1	22	85	8
2	76/72	140	160	47.5/49	64	51	22	100	8
2½	84/76	180/135	160	60.3/66	77.5	63.5	22	110	8
3	84/80	180/160	160	72.9/81	91	76.2	22	125	10
4	92/86	180/160	160	97.6/100	119/106	101.6	22	155	15
4	92/-	180/-	160/-	104/-	119/-	108	22	155	15
5	100	240/210	210/185	129/125	145	133	28	185	30
6	110	240/210	210	153/150	183/167	159	36	215	40
8	120	240/210	210	213.9/198	233.5/217.7	219	36	285	60

†Please consult the factory for 3A and other standard sizes such as ASME BPE, BS4825, etc.

### Butterfly Valves PN10/145PSI, PN16/232PSI

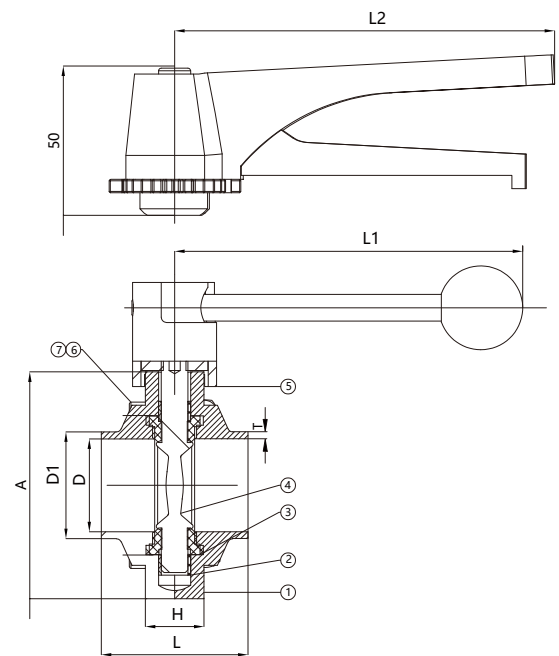
**Two-Piece, Welded, Lever**  
**Sealing Material Comply to FDA 177.1210/2600**  
**Dimensions to ISO2037, DIN11850**  
**Temperature Range: -20°C~120°C/-4°F~248°F**



**HB5176-W**

Materials		
No.	Part	Specification
1	Body	ANSI 304/316L
2	Packing	PTFE
3	Seat	EPDM, NBR, PTFE, FPM
4	Disc	ANSI 304/316L
5	Handle/Lever	ANSI 304
6	Bolt	ANSI 304
7	Nut, Gasket	ANSI 304

\* The valve body material can be selected as 304 or 316.  
 \* The working pressure of model 5173 is 10 Bar;  
 The working pressure of model 5176 is 16 Bar.



Dimensions (ISO/DIN)									
Size/In	L ISO/DIN	L1 ISO/DIN	D ISO/DIN	D1 ISO/DIN	T	L2	H	A	Torque N.m
½	50	140/135	9.7/16	12.7/19	1.5	160	20	68	5
¾	50	140/135	15.8/19	19.1/22	1.5	160	20	78	5
1	50	140/135	22.1/25	25.4/28	1.5	160	22	78	5
1¼	50	140/135	28.5/31	31.8/34	1.5	160	22	78	5
1½	50	140/135	34.8/37	38.1/40	1.5	160	22	85	8
2	50/52	140/135	47.5/49	50.8/52	1.5	160	22	100	8
2½	56/58	180/135	60.3/66	63.5/70	1.5	160	22	110	8
3	56/62	180/160	72.9/81	76.1/85	1.5	160	22	125	10
4	60/66	180/160	97.6/100	101.6/104	2	160	22	155	15
4	60/-	180/-	104/-	108/-	2	160	22	155	15
5	80	240/230	129/125	133/129	2	210	28	185	30
6	90	240/230	153/150	159/154	2	210	36	215	40
8	92	240/230	213.9/198	219.1/204	2	210	36	285	60

♦Please consult the factory for 3A and other standard sizes such as ASME BPE, BS4825, etc.

### Butterfly Valves PN10/145PSI, PN16/232PSI

Three-Piece, Clamp Connection, Handle  
Sealing Material Comply to FDA177.1210/2600  
Dimensions to ISO2852, DIN32676  
Temperature Range: -20°C~120°C/-4°F~248°F

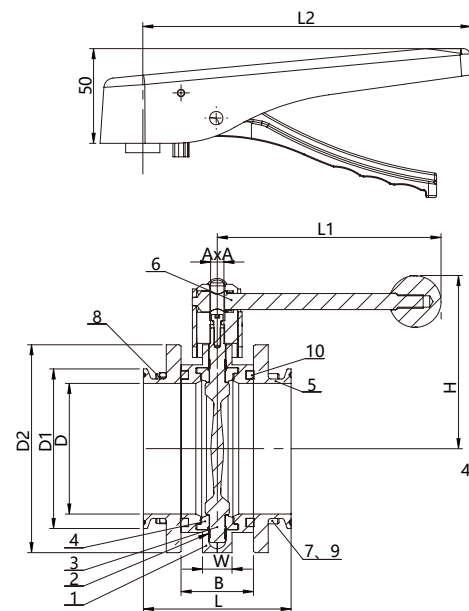


HB7126-C

Materials		
No.	Part	Specification
1	Body	ANSI 304/316L
2	Bushing	PTFE
3	Disc	ANSI 304/316L
4	Seat	EPDM, NBR, PTFE, FPM
5	Clamp Cover	ANSI 304/316L
6	Handle/Lever	ANSI 304
7	Bolt	ANSI 304
8	Nut	ANSI 304
9	Gasket	ANSI 304
10	U-shaped Washer	EPDM, FPM

\* The valve body material can be selected as 304 or 316.

\* The working pressure of model 7123 is 10 Bar;  
The working pressure of model 7126 is 16 Bar.



Dimensions (ISO/DIN)										
Size/In	D ISO/DIN	D1 ISO/DIN	D2 ISO/DIN	L	L1	L2	H	AxA	W	B
¾	15.8/19	34	78	110	135	160	80	8x8	20	54
1	21.8/25	50.5	78	110	135	160	80	8x8	22	54
1¼	28.6/31	50.5	78	110	135	160	80	8x8	22	54
1½	34.8/37	50.5	85	110	135	160	85	8x8	22	54
2	47.8/49	64	100	110	135	160	95	8x8	22	54
2½	60.3/66	77.5/91	110	110	160	160	100	10x10	22	54
3	72.9/81	91/106	125/139	110	160	160	110	10x10	22	54
4	97.6/100	119	155	110	160	160	130	10x10	22	54
5	129/125	145/144.5	185	140	192	185	145	14x14	26	70
6	153/150	183	215	140	219	185	160	14x14	26	70
8	213.9/200	233.5	285	160	295	185	195	17x17	36	80

♦Please consult the factory for 3A and other standard sizes such as ASME BPE, BS4825, etc.

### Butterfly Valves PN10/145PSI, PN16/232PSI

Three-Piece, Welded, Lever  
Sealing Material Comply to FDA177.1210/2600  
Dimensions to ISO2037, DIN11850  
Temperature Range: -20°C~120°C/-4°F~248°F



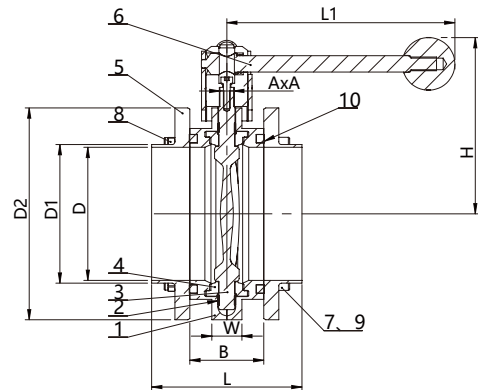
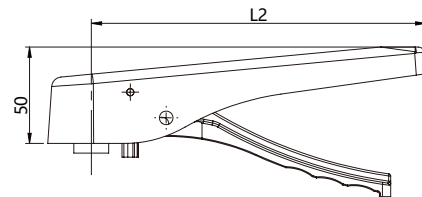
**HB7176-W**

Materials		
No.	Part	Specification
1	Body	ANSI 304/316L
2	Bushing	PTFE
3	Disc	ANSI 304/316L
4	Seat	EPDM, NBR, PTFE, FPM
5	Clamp Cover	ANSI 304/316L
6	Handle/Lever	ANSI 304
7	Bolt	ANSI 304
8	Nut	ANSI 304
9	Gasket	ANSI 304
10	U-shaped Washer	EPDM, FPM

\* The valve body material can be selected as 304 or 316.

\* The working pressure of model 7173 is 10 Bar;

The working pressure of model 7176 is 16 Bar.



Dimensions (ISO/DIN)										
Size/In	D ISO/DIN	D1 ISO/DIN	D2 ISO/DIN	L	L1	L2	H	AxA	W	B
¾	15.8/19	19/22	78	110	135	160	80	8x8	20	54
1	21.8/25	25/28	78	110	135	160	80	8x8	22	54
1¼	28.6/31	31.8/34	78	110	135	160	80	8x8	22	54
1½	34.8/37	38/40	85	110	135	160	85	8x8	22	54
2	47.8/49	51/52	100	110	135	160	95	8x8	22	54
2½	60.3/66	63.5/70	110	110	160	160	100	10x10	22	54
3	72.9/81	76.1/85	125/139	110	160	160	110	10x10	22	54
4	97.6/100	101.6/104	155	110	160	160	130	10x10	22	54
5	129/125	133/129	185	140	192	185	145	14x14	26	70
6	153/150	159/154	215	140	219	185	160	14x14	26	70
8	213.9/200	219.1/204	285	160	295	185	195	17x17	36	80

◆Please consult the factory for 3A and other standard sizes such as ASME BPE, BS4825, etc.

### Diaphragm Valves PN10/145PSI

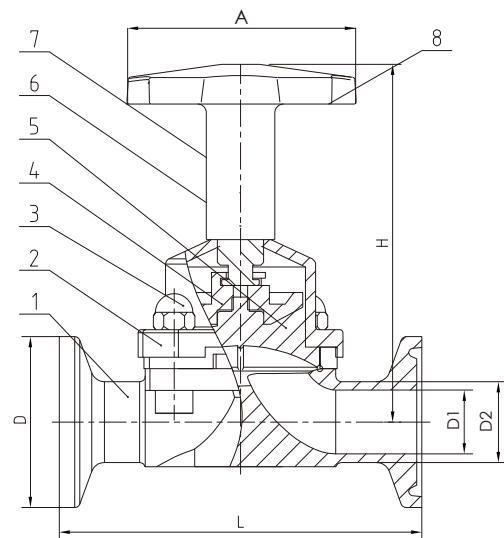
Clamp, Stainless Steel Handwheel  
Sealing Material Comply to FDA177.1210/2600  
Dimensions to DIN32676, 3A  
Temperature Range: -20°C~150°C/-4°F~302°F



DV5653-C

Materials		
No.	Part	Specification
1	Body	ANSI 316L
2	Bonnet	ANSI 304/316L
3	Bonnet Nut	ANSI 304
4	Disc	ANSI 304/316L
5	Diaphragm	EPDM, EPDM+PTFE
6	Stem	ANSI 304
7	Opening Position Indicator	PA-6
8	Handwheel	ANSI 304

- \* Single or double diaphragms are available.
- T-bodies, tank bottom bodies or multi-channel bodies can be selected on your request.



Dimensions (DIN/3A)						
Size/In	D DIN/3A	D1 DIN/3A	D2 DIN/3A	L DIN/3A	A DIN/3A	H
3/8	34/25.2	9/7.75	12	108/106	65	103
1/2	34/25.2	15/9.4	18/12.7	117/108	65	103
3/4	34/50.5	19/15.8	22/19.1	117	90/65	103
1	50.5	25/22.1	28/25.4	127	100/90	122
1 1/4	50.5	31/28.5	34/31.8	146	110	160
1 1/2	50.5	37/34.8	40/38.1	160	110	160
2	64	49/47.5	52/50.8	190	125	190
2 1/2	91/77.5	66/60.2	70/63.5	216	125	228
3	106/91	81/72.9	85/76.2	254/222.25	180	245

◆Please consult the factory for ISO and other standard sizes such as ASME BPE, BS4825, etc.

### Diaphragm Valves PN10/145PSI

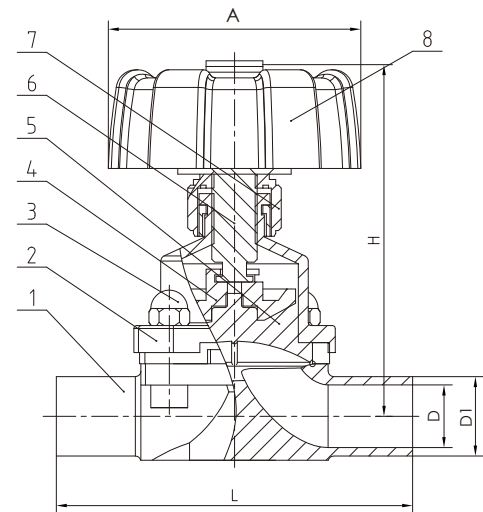
Welded, Plastic Handwheel  
Sealing Material Comply to FDA 177.1210/2600  
Dimensions to DIN11850, 3A  
Temperature Range: -20°C~150°C/-4°F~302°F



DV5633-W

Materials		
No.	Part	Specification
1	Body	ANSI 316L
2	Bonnet	ANSI 304/316L
3	Bonnet Nut	ANSI 304
4	Disc	ANSI 304/316L
5	Diaphragm	EPDM, EPDM+PTFE
6	Stem	ANSI 304
7	Opening Position Indicator	PA-6
8	Handwheel	PA-6

- \* Single or double diaphragms are available.
- T-bodies, tank bottom bodies or multi-channel bodies can be selected on your request.



Dimensions (DIN/3A)					
Size/In	D DIN/3A	D1 DIN/3A	L DIN/3A	A DIN/3A	H
3/8	9/7.75	12/9.53	108	65	103
1/2	15/9.4	18/12.7	117/108	65	103
3/4	19/15.8	22/19.1	117	90/65	103
1	25/22.1	28/25.4	127	100/90	122
1 1/4	31/28.5	34/31.8	146	110	160
1 1/2	37/34.8	40/38.1	160	110	160
2	49/47.5	52/50.8	190	125	190
2 1/2	66/60.2	70/63.5	216	125	228
3	81/72.9	85/76.2	254	180	245

◆Please consult the factory for ISO and other standard sizes such as ASME BPE, BS4825, etc.

### Pneumatic Diaphragm Valves PN10/145PSI

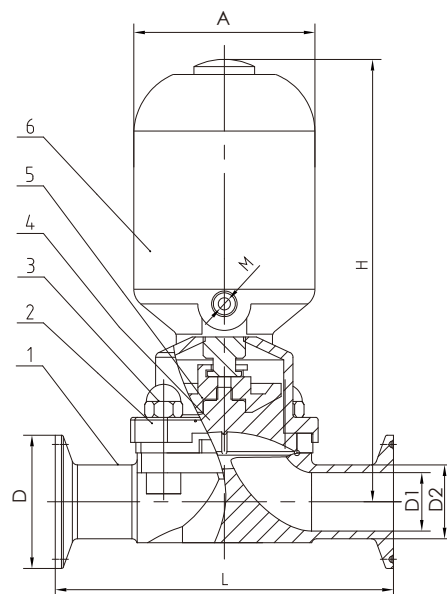
**Stainless Steel, Clamp, Position Indicator**  
**Sealing Material Comply to FDA177.1210/2600**  
**Dimensions to DIN32676, 3A**  
**Temperature Range: -20°C ~ 150°C / -4°F ~ 302°F**



**DV5603-C**

Materials		
No.	Part	Specification
1	Body	ANSI 316L
2	Bonnet	ANSI 304/316L
3	Bonnet Nut	ANSI 304
4	Disc	ANSI 304/316L
5	Diaphragm	EPDM, EPDM+PTFE
6	Actuator	ANSI 304

- \* Single or double diaphragms are available.
- \* The control mode can be normally closed, normally open, or double acting.
- T-bodies, tank bottom bodies or multi-channel bodies can be selected on your request.



Dimensions (DIN/3A)						
Size/In	D DIN/3A	D1 DIN/3A	D2 DIN/3A	L DIN/3A	A DIN/3A	H DIN/3A
3/8	34/-	9/-	12/-	108/-	64/-	128/-
1/2	34/25.2	15/9.4	18/12.7	117/108	90.5/48	161/102
3/4	34/50.5	19/15.8	22/19.1	117	90.5/64	153/132
1	50.5/50.5	25/22.1	28/25.4	127	105.5/90.5	205/153
1 1/4	50.5	31/28.5	34/31.8	146	105.5	205
1 1/2	50.5	37/34.8	40/38.1	160	125/105.5	224/205
2	64	49/47.5	52/50.8	190	157/125	265/224
2 1/2	91/77.5	66/60.2	70/63.5	216	190/157	342/272
3	106/91	81/72.9	85/76.2	254/222.25	250/190	390/335

♦Please consult the factory for ISO and other standard sizes such as ASME BPE, BS4825, etc.

### Pneumatic Diaphragm Valves PN10/145PSI

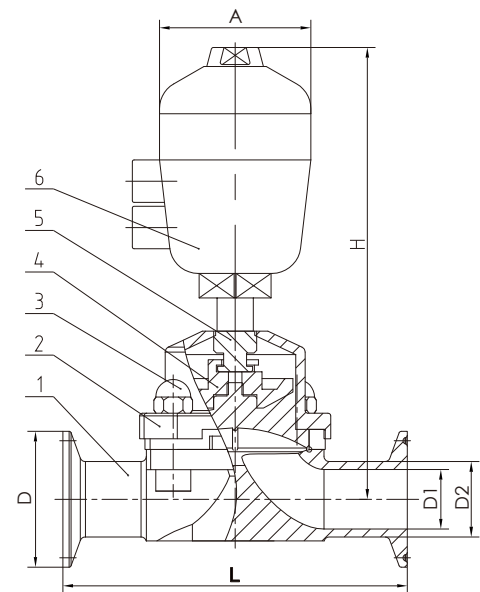
Plastic, Clamp, Position Indicator  
Sealing Material Comply to FDA177.1210/2600  
Dimensions to DIN32676, 3A  
Temperature Range: -20°C~150°C/-4°F~302°F



DV5693-C

Materials		
No.	Part	Specification
1	Body	ANSI 316L
2	Bonnet	ANSI 304/316L
3	Bonnet Nut	ANSI 304
4	Disc	ANSI 304/316L
5	Diaphragm	EPDM, EPDM+PTFE
6	Actuator	PA-6

- \* Single or double diaphragms are available.
- \* The control mode can be normally closed, normally open, or double acting.
- T-bodies, tank bottom bodies or multi-channel bodies can be selected on your request.



Dimensions (DIN/3A)						
Size/In	D DIN/3A	D1 DIN/3A	D2 DIN/3A	L DIN/3A	A DIN/3A	H
3/8	34/-	9/-	12/-	108/-	84/-	207
1/2	34/25.2	15/9.4	18/12.7	117/108	84/80	210
3/4	34/50.5	19/15.8	22/19.1	117	84/80	215
1	50.5/50.5	25/22.1	28/25.4	127	102/80	215
1 1/4	50.5	31/28.5	34/31.8	146	102	240
1 1/2	50.5	37/34.8	40/38.1	160	102	247
2	64	49/47.5	52/50.8	190	130	300
2 1/2	91/77.5	66/60.2	70/63.5	216	130	310
3	106/91	81/72.9	85/76.2	254/222.25	130	325

◆Please consult the factory for ISO and other standard sizes such as ASME BPE, BS4825, etc.

### Pneumatic Diaphragm Valves PN10/145PSI

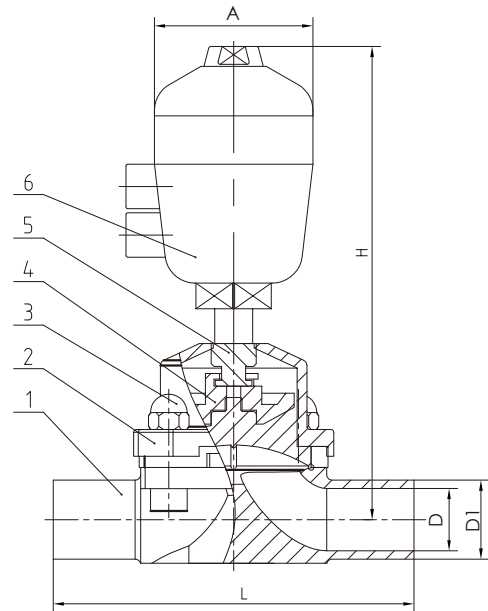
Plastic, Welded, Position Indicator  
Sealing Material Comply to FDA177.1210/2600  
Dimensions to DIN11850, 3A  
Temperature Range: -20°C~150°C/-4°F~302°F



DV5693-W

Materials		
No.	Part	材料
1	Body	ANSI 316L
2	Bonnet	ANSI 304/316L
3	Bonnet Nut	ANSI 304
4	Disc	ANSI 304/316L
5	Diaphragm	EPDM, EPDM+PTFE
6	Actuator	PA-6

- \* Single or double diaphragms are available.
- \* The control mode can be normally closed, normally open, or double acting.
- T-bodies, tank bottom bodies or multi-channel bodies can be selected on your request.

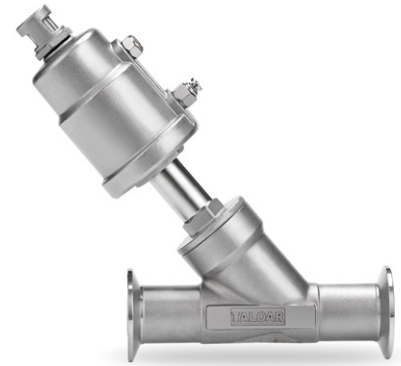


Dimensions (DIN/3A)					
Size/In	D DIN/3A	D1 DIN/3A	L DIN/3A	H DIN/3A	A DIN/3A
3/8	9/-	12/-	108/-	207/-	84/-
1/2	15/9.4	18/12.7	117/108	210/207	84/80
3/4	19/15.8	22/19.1	117	215/210	84/80
1	25/22.1	28/25.4	127	215	102/80
1 1/4	31/28.5	34/31.8	146	240	102
1 1/2	37/34.8	40/38.1	160	247/240	102
2	49/47.5	52/50.8	190	300	130
2 1/2	66/60.2	70/63.5	216	310	130
3	81/72.9	85/76.2	254	325	130

◆Please consult the factory for ISO and other standard sizes such as ASME BPE, BS4825, etc.

### Pneumatic Angle Valves PN16/232PSI, PN25/355PSI

Stainless Steel, Clamp, Position Indicator  
Dimensions to DIN32676, 3A  
Temperature Range: -20°C~180°C/-4°F~356°F  
Control Pressure: 4-6 Bar

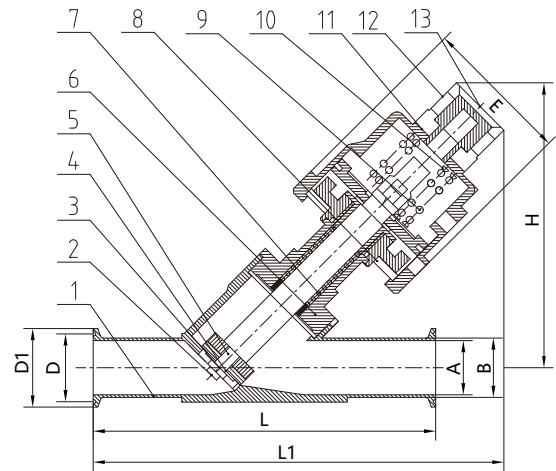


AG5606-C

Materials		
No.	Part	Specification
1	Body	ANSI 304/316L
2	Bolt	ANSI 304/316L
3	Cover Plate	ANSI 304/316L
4	Seat	PTFE
5	Disc	ANSI 304/316L
6	Bonnet	ANSI 304
7	Compression Spring	Stainless Steel Wire
8	Sealing Strip	PTFE
9	Compression Spring	Stainless Steel Wire
10	Stop Collar	Nylon
11	Hexagonal Nut	ANSI 304
12	Actuator	ANSI 304
13	Opening Display Cap	Plexiglass

\* Clamp, solder or internal thread connections are available as required.

\* The control mode can be normally closed, normally open, or double acting.



Dimensions (DIN/3A)								
Size/In	A DIN/3A	B DIN/3A	D DIN/3A	D1 DIN/3A	L DIN/3A	L1 DIN/3A	H DIN/3A	E DIN/3A
½	15/-	12/-	27.5/-	34/-	130/-	180/-	137/-	64/-
¾	19/15.8	22/19.1	27.5/-	34/25.2	140/130	195/180	145	64
1	25/22.1	28/25.4	43.5	50.5	140	210/195	183	64
1¼	31/28.5	34/31.8	43.5	50.5	150	217	210	80
1½	37/34.8	40/38.1	43.5	50.5	180	240	260	80
2	49/47.5	52/50.8	56.5	64	195	280	300	80
2½	66/60.2	70/63.5	83.5/70.5	91/77.5	210	320	340	100
3	81/72.9	85/76.2	97/83.5	106/91	245	360	375	100
4	100/-	104/-	110/-	119/-	280/-	360/-	375/-	156/-

◆Please consult the factory for ISO and other standard sizes such as ASME BPE, BS4825, etc.

### Pneumatic Angle Valves PN16/232PSI, PN25/355PSI

Plastic, Clamp, Position Indicator  
Dimensions to DIN32676, 3A  
Temperature Range: -20°C~180°C/-4°F~356°F  
Control Pressure: 4-6Bar

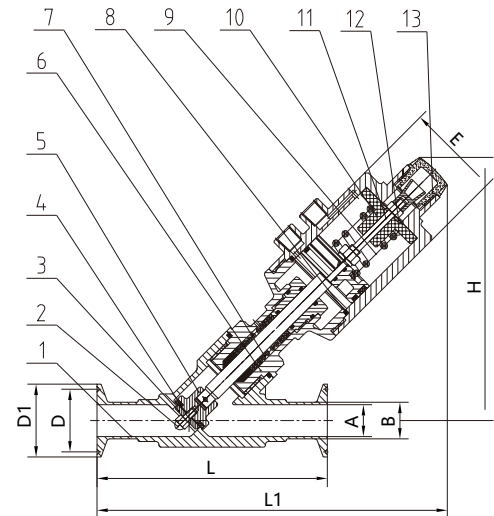


AG5696-C

Materials		
No.	Part	Specification
1	Body	ANSI 304/316L
2	Bolt	ANSI 304/316L
3	Cover Plate	ANSI 304/316L
4	Seat	PTFE
5	Disc	ANSI 304/316L
6	Bonnet	ANSI 304
7	Compression Spring	Stainless Steel Wire
8	Sealing Strip	PTFE
9	Compression Spring	Stainless Steel Wire
10	Stop Collar	Nylon
11	Hexagonal Nut	ANSI 304
12	Actuator	PA6
13	Opening Display Cap	Plexiglass

\* Clamp, solder or internal thread connections are available as required.

\* The control mode can be normally closed, normally open, or double acting.



Dimensions (DIN/3A)								
Size/In	A DIN/3A	B DIN/3A	D DIN/3A	D1 DIN/3A	L DIN/3A	L1 DIN/3A	H DIN/3A	E DIN/3A
½	15/-	12/-	27.5/-	34/-	130/-	180/-	137/-	64/-
¾	19/15.8	22/19.1	27.5/-	34/25.2	140/130	195/180	145	64
1	25/22.1	28/25.4	43.5	50.5	140	210/195	183	80/64
1¼	31/28.5	34/31.8	43.5	50.5	150	217	210	80
1½	37/34.8	40/38.1	43.5	50.5	180	240	260	80
2	49/47.5	52/50.8	56.5	64	195	280	300	80
2½	66/60.2	70/63.5	83.5/70.5	91/77.5	210	320	340	126/100
3	81/72.9	85/76.2	97/83.5	106/91	245	360	375	126/100
4	100/-	104/-	110/-	119/-	280/-	360/-	375/-	156/-

◆Please consult the factory for ISO and other standard sizes such as ASME BPE, BS4825, etc.

### Y Strainers PN10/145PSI

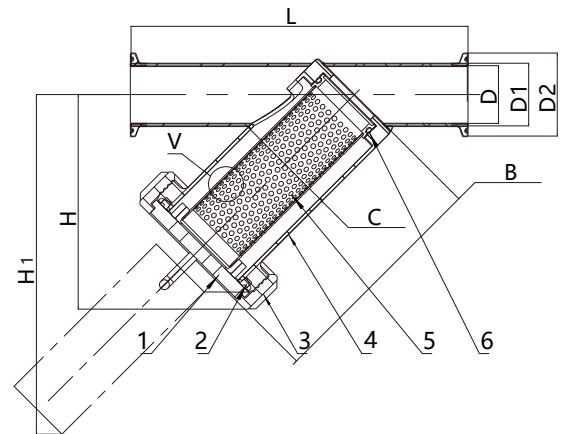
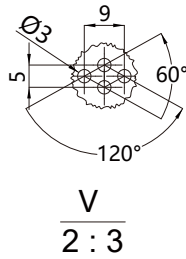
Clamp, Y-Body  
Dimensions to ISO2852, DIN32676  
Temperature Range: -20°C~100°C/-4°F~212°F



YS5203-C

材料描述 Materials		
No.	Part	Specification
1	Bonnet	ANSI 304/316L
2	Sealing Gasket	EPDM
3	Cap Nut	ANSI 304
4	Body	ANSI 304/316L
5	Strainer	ANSI 304/316L
6	O-Ring	EPDM

- \* Double layer strainers design.
- The strainer aperture is 3mm. The inner lining strainer can be 30 #, 50 #, 100 # or customized according to users' requirements.



Dimensions (ISO/DIN)								
Size/In	D ISO/DIN	D1 ISO/DIN	D2 ISO/DIN	L ISO/DIN	C ISO/DIN	B ISO/DIN	H ISO/DIN	H1 ISO/DIN
½	-/16	-/19	-/34	-/170	-/45	-/110	-/89	-/150
¾	15.8/19	19/22	34	170	45	110	89	150
1	21.8/25	25/28	50.5	170	45	112	92	153
1¼	28.6/31	31.8/34	50.5	175	51	112	96	156
1½	34.8/37	38/40	50.5	205	63	132	126	195
2	47.8/49	51/52	64	215	76	152	135	222
2½	60.3/66	63.5/70	77.5/91	275	102	187/207	168	278
3	72.9/81	76.1/85	91/106	310/340	102/114	207/237	184/205	312/354
4	97.6/100	101.6/104	119	390	133	273	244	418
5	-/125	-/129	-/145	-/410	-/168	-/282	-/258	-/440

◆Please consult the factory for 3A and other standard sizes such as ASME BPE, BS4825, etc.

### Y Strainers PN10/145PSI

Welded, Y-Body  
Dimensions to ISO2037, DIN11850  
Temperature Range: -20°C~100°C/-4°F~212°F

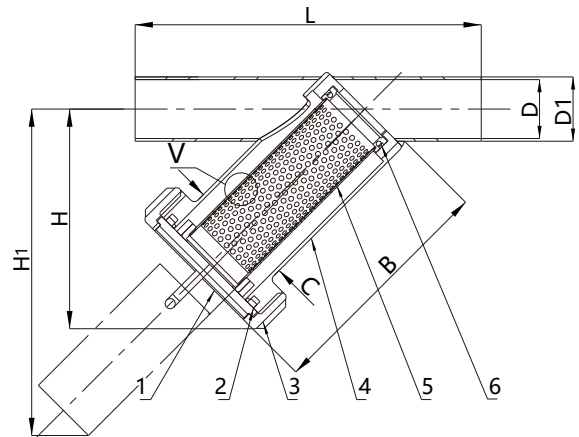
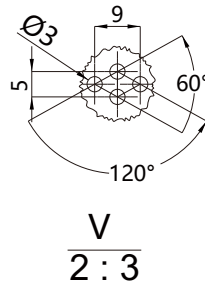


YS5203-W

Materials		
No.	Part	Specification
1	Bonnet	ANSI 304/316L
2	Sealing Gasket	EPDM
3	Cap Nut	ANSI 304
4	Body	ANSI 304/316L
5	Strainer	ANSI 304/316L
6	O-Ring	EPDM

\* Double layer strainers design.

- The strainer aperture is 3mm. The inner lining strainer can be 30 #, 50 #, 100 # or customized according to users' requirements.



Dimensions (ISO/DIN)							
Size/In	D ISO/DIN	D1 ISO/DIN	L ISO/DIN	C ISO/DIN	B ISO/DIN	H ISO/DIN	H1 ISO/DIN
½	-/16	-/19	-/170	-/45	-/110	-/89	-/150
¾	15.8/19	19/22	170	45	110	89	150
1	21.8/25	25/28	170	45	112	92	153
1¼	28.6/31	31.8/34	175	51	112	96	156
1½	34.8/37	38/40	205	63	132	126	195
2	47.8/49	51/52	215	76	152	135	222
2½	60.3/66	63.5/70	275	102	187/207	168	278
3	72.9/81	76.1/85	310/340	102/114	207/237	184/205	312/354
4	97.6/100	101.6/104	390	133	273	244	418
5	-/125	-/129	-/410	-/168	-/282	-/258	-/440

♦Please consult the factory for 3A and other standard sizes such as ASME BPE, BS4825, etc.

### Silent Check Valves PN10/145PSI

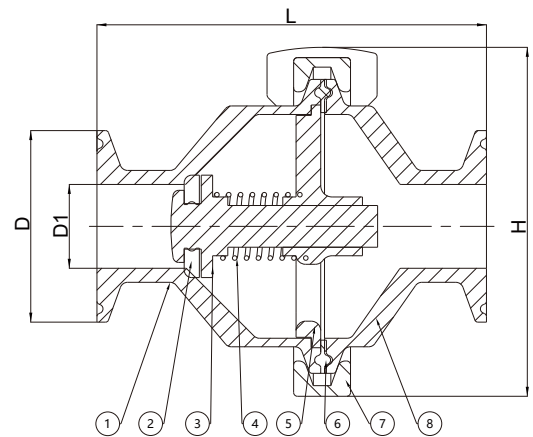
Clamp, Spring Return  
Dimensions to ISO2852, DIN32676  
Temperature Range: -20°C~100°C/-4°F~212°F



CV5203-C

Materials		
No.	Part	Specification
1	Body	ANSI 304/316L
2	Gasket	EPDM
3	Stem	ANSI 304/316L
4	Spring	ANSI 304/316L
5	Disc	ANSI 304/316L
6	Quick-Fitting Washer	EPDM
7	Clamp	ANSI 304
8	Bonnet	ANSI 304/316L

\* Centre-oriented design.



Dimensions (ISO/DIN)					
Size/In	L ISO/DIN	D ISO/DIN	D1 ISO/DIN	H ISO/DIN	Min Opening Pressure Bar
½	76	34	9.5/16	80	0.1
¾	76/102.9	34	15.8/19	80/92	0.1
1	102.9/102.7	50.5	21.8/25	92	0.2
1¼	102.7	50.5	28.6/31	92	0.2
1½	101	50.5	34.8/37	92	0.2
2	112.4	64	47.8/49	97	0.2
2½	125	77.5/91	60.3/66	108	0.3
3	125	91/106	72.9/81	113/125	0.4
4	132	119	97.6/100	131/132	0.7

♦Please consult the factory for 3A and other standard sizes such as ASME BPE, BS4825, etc.

### Silent Check Valves PN10/145PSI

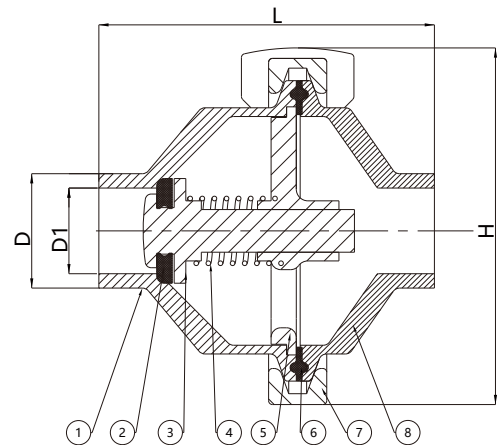
Welded, Spring Return  
Dimensions to ISO2037, DIN11850  
Temperature Range: -20°C~100°C/-4°F~212°F



CV5203-W

Materials		
No.	Part	Specification
1	Body	ANSI 304/316L
2	Gasket	EPDM
3	Stem	ANSI 304/316L
4	Spring	ANSI 304/316L
5	Disc	ANSI 304/316L
6	Quick-Fitting Washer	EPDM
7	Clamp	ANSI 304
8	Bonnet	ANSI 304/316L

\* Centre-oriented design.



Dimensions (ISO/DIN)					
Size/In	L ISO/DIN	D ISO/DIN	D1 ISO/DIN	H ISO/DIN	Min Opening Pressure Bar
½	71	12.7/19	9.5/16	80	0.1
¾	71/77.5	19/22	15.8/19	80/92	0.1
1	77.5	25/28	21.8/25	92	0.2
1¼	77.5	31.8/34	28.6/31	92	0.2
1½	77	38/40	34.8/37	92	0.2
2	87	51/52	47.8/49	97	0.2
2½	100	63.5/70	60.3/66	108	0.3
3	100	76.1/85	72.9/81	113/125	0.4
4	100.5	101.6/104	97.6/100	131/132	0.7

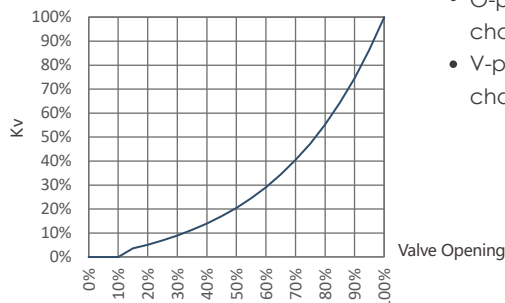
♦Please consult the factory for 3A and other standard sizes such as ASME BPE, BS4825, etc.

### Electric Stainless Steel Ball Valve

#### Product Features

- Equal percentage regulation characteristic
- V-port ball design (for regulation function only)
- Three-piece design for easy maintenance
- Small size, light weight
- Optional connection standards: ISO, DIN, 3A, etc.

#### Flow Characteristic Curve (Equal Percentage)



#### Flow Characteristics

- O-port ball: Quick opening characteristic
- V-port ball: Equal percentage characteristic

### ES100/ES300 Electric Actuator

#### Technical Parameters

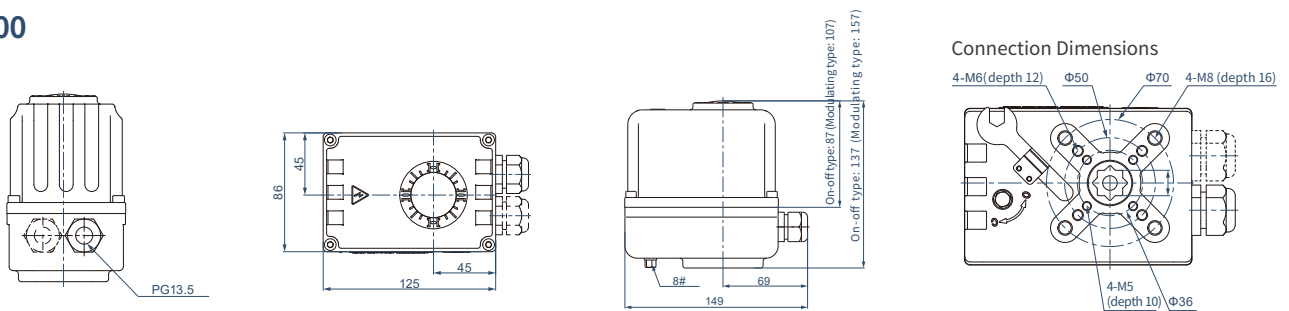
Torque Range	50~100N.m
Protection Grade	IP67
Operating Time	On off type: S2-15min; Modulating type: S4-50%
Applicable Voltage	DC: DC24V; Single phase: AC110V/AC220V ±10%, 50/60Hz ±5%
Ambient Temperature	-25°C~+60°C
Relative Humidity	≤90%RH(25°C)
Motor Specification	Class F insulation, with over temperature protection
Output Connection	ISO5211 direct mount
Regulating Type Function Configuration	Supports signal loss mode and signal inversion selection function
Manual Device	Wrench operation; handwheel operation optional
Position Indication	Open/close indication, 3D indication (optional)
Input Signal	On off type: Switch active signal Modulating type: Standard 4 20mA (input impedance: 150Ω); optional 0 10V, 2 10V With opto isolation
Output Signal	On off type: Active + passive feedback (SPDT, supports 5A @250V AC) Modulating type: Standard 4 20mA (output impedance: 750Ω); optional 0 10V, 2 10V With opto isolation
Over-torque Protection	Over torque device optional for both on off and modulating types; not available for ES100
Housing Coating	Epoxy powder coating

Model	220V Power(W)	Max. Output Torque(N.m)			Rated Torque Operating Time(Sec)50Hz			ISO5211	Stem Connection Size (mm)	Stem Height (mm)	Remark
		AC110V AC220V DC24V	AC380V Three-phase	AC110V AC220V	AC380V Three-phase	DC24V					
ES100	6	50	—	19	—	15	F03/F05/F07	□ 9 □ 11 □ 14	≤20	8# Wrench Operation	
ES300	25	100	—	30	—	23	F05/F07	□ 11 □ 14 □ 17	≤32		

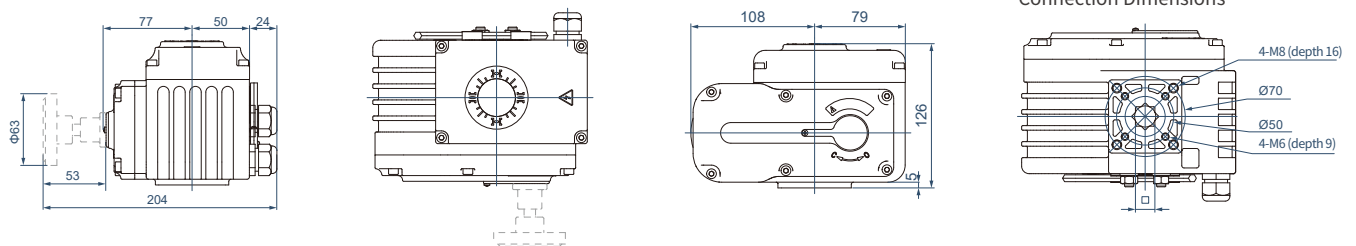
\* The switching time can be customized according to user requirements; please consult the factory for details.

## Dimensions

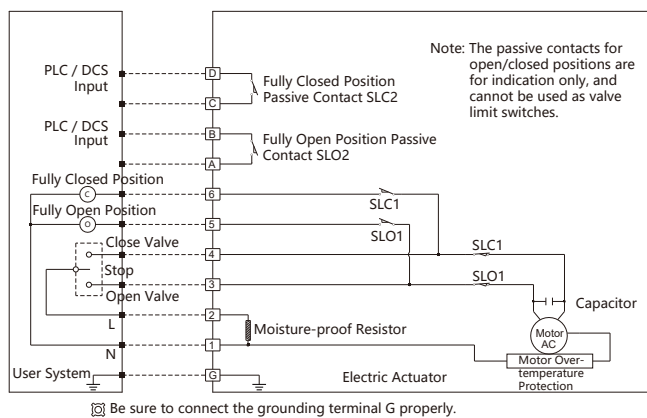
### ES100



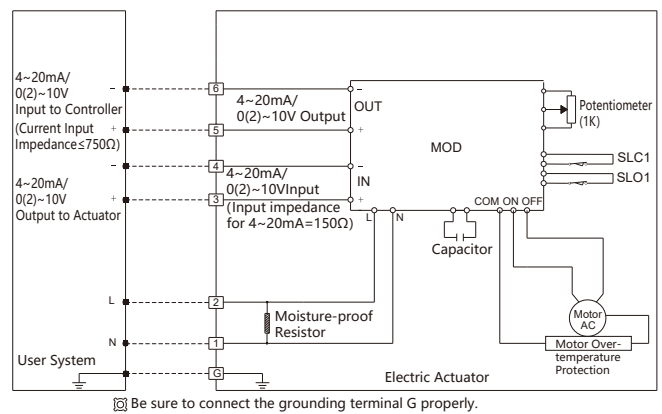
### ES300



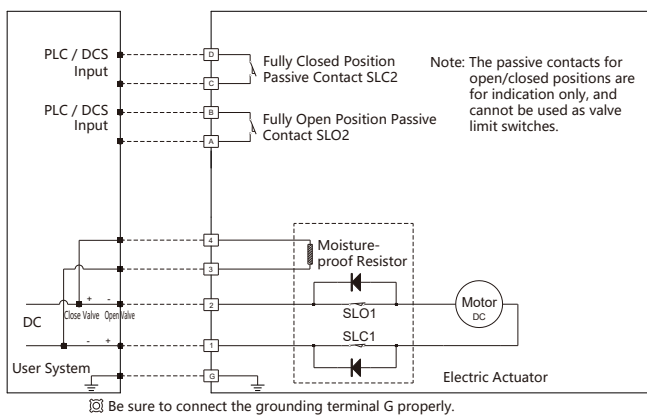
## ES Single-phase Quarter-turn On-off Wiring Diagram



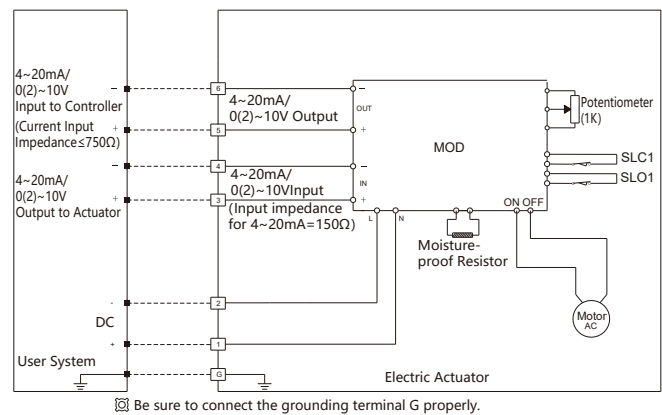
## ES Single-phase Quarter-turn Regulating Wiring Diagram



## ES DC Quarter-turn On-off Wiring Diagram



## ES DC Quarter-turn Regulating Wiring Diagram





## Number System

Type	Body	Material	Operation	Pressure	End
BL - Ball Valve	0 - One-Piece	1 - 304	2 - Handle (Stainless Steel)	3 - 10Bar	C - Clamp
HB - Butterfly Valve	5 - Two-Piece	2 - 304L	3 - Handle (Plastic)	6 - 16Bar	W - Welded
DV - Diaphragm Valve	7 - Three-Piece	3 - 316	5 - Handwheel (Stainless Steel)	7 - 25Bar	T - Threaded
AG - Angle Valve		6 - 316L	7 - Lever (Stainless Steel)		F - Flange
YS - Y Strainer			8 - Electric		
CV - Check Valve			9 - Pneumatic (Plastic)		
			0 - Pneumatic (Stainless Steel)		



# TALOR<sup>®</sup>

**TALOR INC.,**

1220N.Market Street,  
Delaware,USA.  
PHONE: +1/302.327.8999  
www.taloor.com